

Compact Attenuator Sound Proof Canopy (CA) - 9 to 1000 KVA

This type of enclosures is usually developed for critical sound attenuation requirements. It enjoys excellent noise reduction and air ventilation efficiency. The noise reduction ranges between 64 dba (for small range) and 85 dba (for big range).

Canopy Structure

- 2 mm Galvanized-Steel Body and Components
- 10 cm high-density Rockwool for Sound Insulation
- Heat-treated highly corrosion-resistive powder coating
- Stainless-Steel Locks and Zinc Die-Cast Hinges.
- Exhaust silencing system in the interior of the enclosure

Service and Maintenance

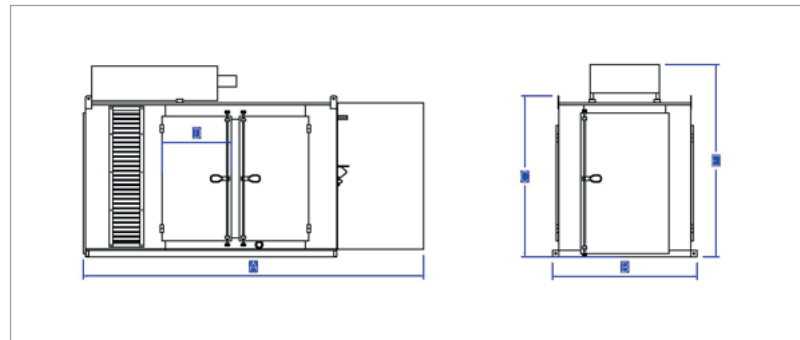
- Large doors for easy Maintenance Access
- Rear attenuator allows Radiator Access.
- Radiator-fill access through a special plastic cap on the top of the enclosure.
- Lube Oil Pipe outlet to allow easy drainage.

Security and Safety

- Fuel Fill and Battery are secured through lockable doors.
- Emergency Stop Push Button mounted on the exterior of the enclosure (optional)

Loading and Shipment

- Lifting Points on the Base of the enclosure
- 2 Removable Attenuators for shipping space optimization.



- Image is for reference only and might not be 100% reflective of the actual product.
- Due to continuous improvements, above data is subject to change without prior notice.



Compact - Attenuator Sound Proof Canopy (CA)		Sound Pressure Levels (dBA)											Total Weight Kg	Dimensions					
		50 Hz						60 Hz											
		1 m		3 m		7 m		1 m		3 m		7 m							
Generating set	Powertech	0%	100%	0%	100%	0%	100%	0%	100%	0%	100%	0%	100%		A _{mm}	B _{mm}	C _{mm}	D _{mm}	E _{mm}
Engine Model	KVA	Load	Load	Load	Load	Load	Load	Load	Load	Load	Load	Load	Load						
403A-11G	9	64	66	62	64	59	61	68	70	66	68	63	65	830	2050	100	1610	834	1710
403A-15G	12.5	65	67	62	64	59	61	69	71	66	68	63	65	914	2050	100	1610	834	1710
404D-22G	20	65.5	67.5	63	65	60	62	69.5	71.5	67	69	64	66	974	2050	100	1610	834	1710

Compact - Attenuator Sound Proof Canopy (CA)		Sound Pressure Levels (dBA)												Total Weight	Dimensions					
		50 Hz						60 Hz												
		1 m		3 m		7 m		1 m		3 m		7 m								Kg
Generating set	Powertech	0%	100%	0%	100%	0%	100%	0%	100%	0%	100%	0%	100%	0%	100%					
Engine Model	KVA	Load	Load	Load	Load	Load	Load	Load	Load	Load	Load	Load	Load	Load	Load					
1103A-33G	30	67	69	64	66	61	63	71	73	68	70	65	67	1424	2460	1170	1930	980	2050	
1103A-33TG1	45	67.5	69.5	64	66	61	63	71.5	73.5	68	70	65	67	1471	2460	1170	1930	980	2050	
1103A-33TG2	60	68	70	64	66	61	63	72	74	68	70	65	67	1492	2460	1170	1930	980	2050	
1104A-44TG2	80	70	72	65	67	62	64	74	76	69	71	66	68	2050	2980	1400	2080	980	2340	
1104C-44TAG2	100	70.3	72.3	67	69	64	66	74.5	76.5	71	73	68	70	2168	2980	1400	2080	980	2340	
1106A-70TG1	135	71.5	73.5	68	70	65	67	75.5	77.5	72	74	69	71	2555	3460	1400	2130	784	2380	
1106A-70TAG2	150	72	74	69	71	66	68	76	78	73	75	70	72	2700	3460	1400	2130	784	2380	
1106A-70TAG3	180	72	74	69.5	71.5	66.5	68.5	76	78	73.5	75.5	70.5	72.5	3100	3720	1650	2460	815	2640	
1106A-70TAG4	200	72.5	74.5	69.5	71.5	66.5	68.5	76.5	78.5	73.5	75.5	70.5	72.5	3500	3720	1650	2460	815	2640	
1506A-E88TAG3	250	73	75	70	72	67	69	77	79	74	76	71	73	4050	3720	1650	2460	815	2640	
1506A-E88TAG5	300	73.5	75.5	70	72	67	69	77.5	79.5	74	76	71	73	4600	5000	1650	2460	815	2640	
2206A-E13TAG2	350	74	76	71	73	68	70	78	80	75	77	72	74	5150	5480	2300	2550	1000	2610	
2206A-E13TAG3	400	74	76	71.5	73.5	68.5	70.5	78	80	75.5	77.5	72.5	74.5	5700	5480	2300	2550	1000	2610	
2506A-E15TAG1	450	74.5	76.5	71.5	73.5	68.5	70.5	78.5	80.5	75.5	77.5	72.5	74.5	6250	5930	2300	2550	1000	2610	
2506A-E15TAG2	500	75	77	72	74	69	71	79	81	76	78	73	75	6800	5930	2300	2550	1000	2610	
2806A-E18TAG1A	600	77	79	73.5	75.5	70.5	72.5	81	83	77.5	79.5	74.5	76.5	7900	5930	2300	2550	1000	2610	
2806A-E18TAG2A	650	77	79	73.5	75.5	70.5	72.5	81	83	77.5	79.5	74.5	76.5	8450	5930	2300	2550	1000	2610	
4008-TAG2A	1000	78	80	75	77	72	74	82	84	79	81	76	78	12300	8500	2250	2500	1000	3200	