

Sound Proof (AA)-1000 to 2250 KVA

This type of enclosures is distinguished due to its excellent capability of noise reduction. This is mainly due to the presence of attenuators on each of the air inlet and outlet sides. It is fully weather proofed and the exhaust muffler is mounted on the top to ensure proper cooling and ventilation. The noise reduction ranges between 58.5 and 85.5 dBa.

Canopy Structure

- 2 mm Galvanized-Steel Body and Components
- 10 cm high-density Rockwool for Sound Isolation
- Heat-treated highly corrosion-resistive powder coating
- Stainless-Steel Locks and Zinc Die-Cast Hinges.
- Exhaust silencing system on Top of the enclosure.

Service and Maintenance

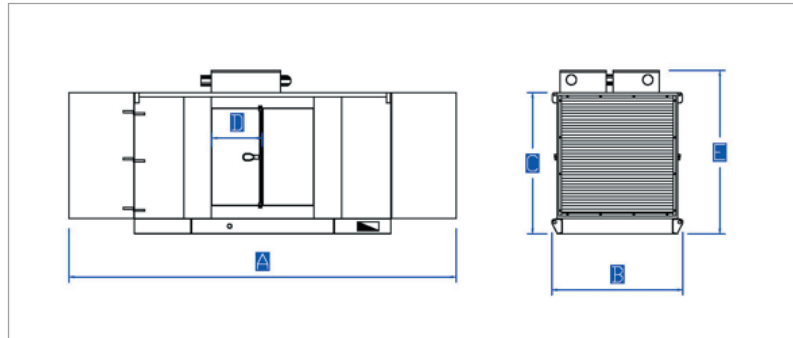
- Easy access for the radiator and the control panel through the outlet and inlet attenuators.
- 4 large access doors to allow easy maintenance access.
- Lube Oil Pipe outlet to allow easy drainage.

Security and Safety

- Fuel Fill and Battery are secured through lockable doors.
- Emergency Stop Push Button mounted on the exterior of the enclosure (optional)

Loading and Shipment

- Lifting Points on the Base of the enclosure
- 2 Removable Attenuators for shipping space optimization.



• Image is for reference only and might not be 100% reflective of the actual product.

• Due to continuous improvements, above data is subject to change without prior notice.



Attenuator/ Attenuator Sound Proof Canopy (AA)		Sound Pressure Levels (dBA)												Total Weight	Dimensions				
		50 Hz						60 Hz											
		1 m		3 m		7 m		1 m		3 m		7 m		Kg	Amm	Bmm	Cmm	Dmm	Emm
Generating set	Powertech	0%	100%	0%	100%	0%	100%	0%	100%	0%	100%	0%	100%						
Engine Model	KVA	Load	Load	Load	Load	Load	Load	Load	Load	Load	Load	Load	Load						
4008-TAG2A	1000	78	80	75	76	72	73	82	84	79	80	76	77	12300	8540	2552	2751	1000	3181
4012-46TWG2A	1250	80	84	78	80	75	77	84	88	82	84	79	81	12800	9120	2552	2870	1000	3370
4012-46TAG2A	1500	80	84	78	80	75	77	84	88	82	84	79	81	14700	9620	2750	3050	1000	3550
4016-61TRG2	2000	80	84	78	80	75	77	-	-	-	-	-	-	20300	10300	2650	3130	1000	3060
4016-61TRG3	2250	80	85	78	80	75	77	-	-	-	-	-	-	21000	10300	2650	3130	1000	3060